

Spare parts list

Edition 090129



Valid for serial no. 506-xxx-xxxx, 719-xxx-xxxx

Ordering numbers

- 0459 491 880 Remote control MTA1 CAN
- 0459 491 882 Remote control M1 10Prog CAN
- 0459 491 883 Remote control AT1 CAN
- 0459 491 884 Remote control AT1 CoarseFine CAN
- 0459 491 895 Remote control M1
- 0459 491 896 Remote control AT1
- 0459 491 897 Remote control AT1 CoarseFine
- 0459 491 910 Remote control adapter RA 12 with holder
- 0459 491 911 Remote control adapter RA 23 with holder
- 0459 491 912 Remote control adapter RA T1 with holder and 4 - 12 pole connection cable
- 0459 491 913 Remote control adapter RA T1 with holder and 4 - 10 pole connection cable
- 0349 090 890 Remote control FS 002 CAN with 5 metre connection cable
- 0349 090 886 Remote control FS 002 with 5 metre connection cable
- 0460 315 880 Remote control T1 Foot CAN with 5 metre connection cable and 12 pole plug
- 0460 315 881 Remote control T1 Foot CAN with 5 metre connection cable and 10 pole plug

Spare parts are to be ordered through the nearest ESAB agency. Kindly indicate type of unit, serial number, denominations and ordering numbers according to the spare parts list.

Maintenance and repair work should be performed by an experienced person, and electrical work only by a trained electrician. Use only recommended spare parts.

Rights reserved to alter specifications without notice.

MTA1 CAN, M1 10P CAN, AT1 CAN, AT1 CF CAN, RA 12, RA 23, RA T1

C = component designation in the circuit diagram

Item	Ordering no.	Denomination	MTA1 CAN	M1 10P CAN	AT1 CAN	AT1 CF CAN	RA 12	RA 23	RA T1	C
101	See item 150	Knob cover Wire / A	-	-	1	1	-	-	-	
102	See item 150	Knob cover Wire / A Fine	-	-	-	1	-	-	-	
103	See item 150	Knob cover V	-	-	-	-	-	-	-	
104	See item 150	Knob cover 10P	-	1	-	-	-	-	-	
105	See item 150	Knob cover 1	1	-	-	-	-	-	-	
106	See item 150	Knob cover 2	1	-	-	-	-	-	-	
107	0459 529 001	Knob	2	1	1	2	-	-	-	
108	0459 561 880	Cable set, M1, with potentiometers	1	-	-	-	-	-	-	43R1 43R2
	0459 561 881	Cable set, M1 10P, with switches	-	1	-	-	-	-	-	43S1 43S2
	0459 561 882	Cable set, AT1, with potentiometer	-	-	1	-	-	-	-	43R1
	0459 561 883	Cable set, AT1 CF, with potentiometers	-	-	-	1	-	-	-	43R3 43R4
109	0459 536 880	Lock	2	1	1	2	-	-	-	
110	0459 543 001	Sealing strip	2	2	2	2	2	2	2	
111	0459 531 001	End piece with hook	1	1	1	1	1	1	-	
112	0459 541 001	Rubber end piece	2	2	2	2	2	2	2	
113	0459 542 001	Magnet	4	4	4	4	-	-	-	
114	0459 551 880	Connection CAN	1	1	1	1	1	1	1	
115	0147 866 009	Cover rubber	-	1	-	-	-	-	-	
116	0366 285 001	Protection cap	-	-	-	-	1	-	-	
	0455 516 001	Protection cap	-	-	-	-	-	1	-	
117	0460 146 880	CAN adapter board *	1	1	1	1	1	1	1	43AP1
118	0487 230 880	Filter board	-	-	-	-	1	1	1	43AP2

*) Item 117 CAN adapter board must be configured when installed.

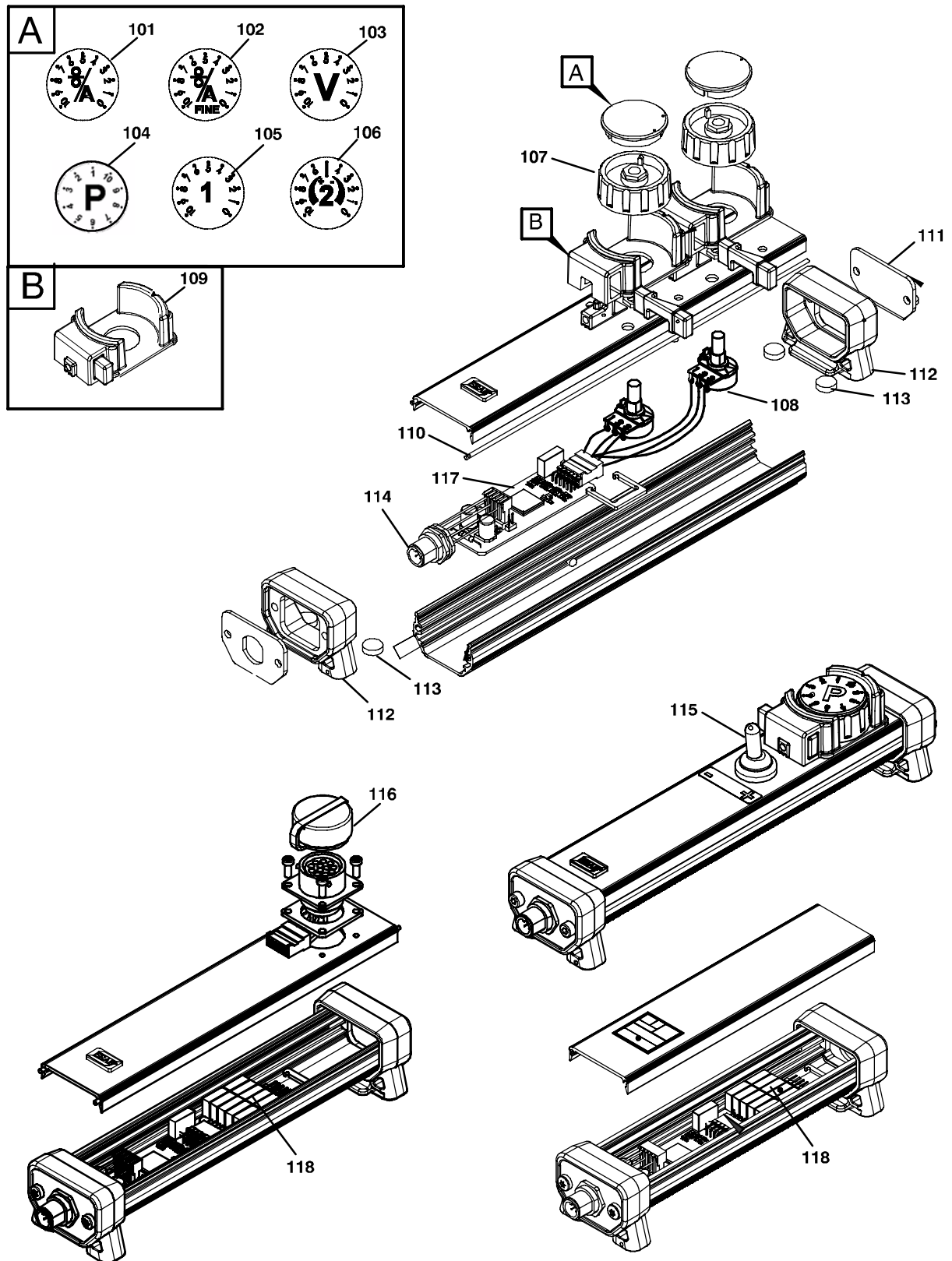
SPARE PART SET

Item	Ordering no.	Denomination	Notes
150	0459 698 880	Knob cover set	Contains items 101, 102, 103, 104, 105 and 106

Machine ID for remotes:

ID no	Product	Notes
1	RA 23	Up to and including serial number 506-640-4574 From serial number 506-640-4575
1	RA 12	
2	RA 12	
3	AT1 CAN	
3	AT1 CF CAN	
4	MTA1 CAN	
6	M1 10Prog CAN	
10	RA T1	

MTA1 CAN, M1 10P CAN, AT1 CAN, AT1 CF CAN, RA 12, RA 23, RA T1



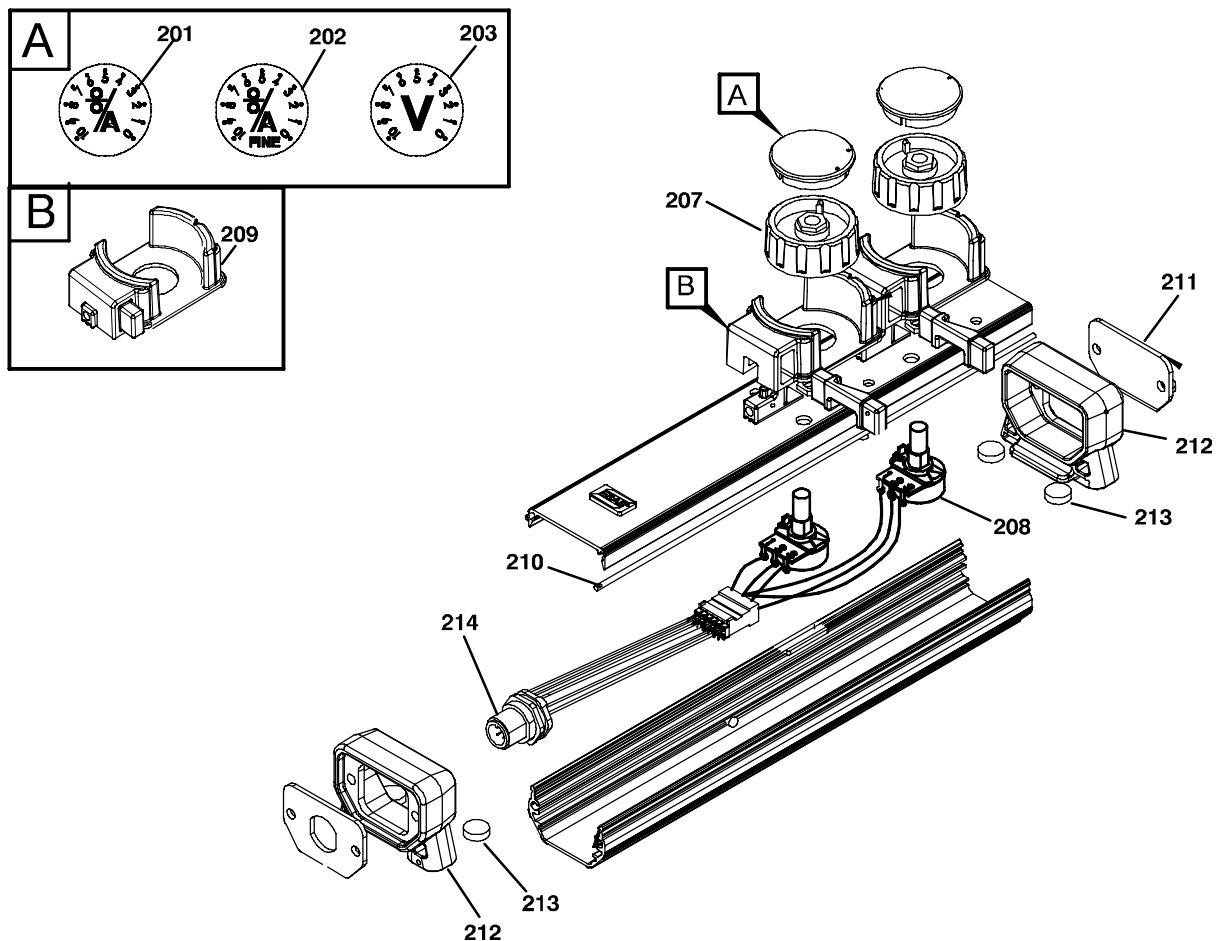
M1, AT1, AT1 CF

C = component designation in the circuit diagram

Item	Ordering no.	Denomination	M1	AT1	AT1 CF	C
201	See item 250	Knob cover Wire / A	1	1	1	
202	See item 250	Knob cover Wire / A Fine	-	-	1	
203	See item 250	Knob cover V	1	-	-	
207	0459 529 001	Knob	2	1	2	
208	0459 561 880	Cable set, M1, with potentiometers	1	-	-	43R1, 43R2
	0459 561 882	Cable set, AT1, with potentiometer	-	1	-	43R1
	0459 561 883	Cable set, AT1 CF, with potentiometers	-	-	1	43R3, 43R4
209	0459 536 880	Lock	2	1	2	
210	0459 543 001	Sealing strip	2	2	2	
211	0459 531 001	End piece with hook	1	1	1	
212	0459 541 001	Rubber end piece	2	2	2	
213	0459 542 001	Magnet	4	4	4	
214	0459 551 881	Connection analogue	1	1	1	

SPARE PART SET

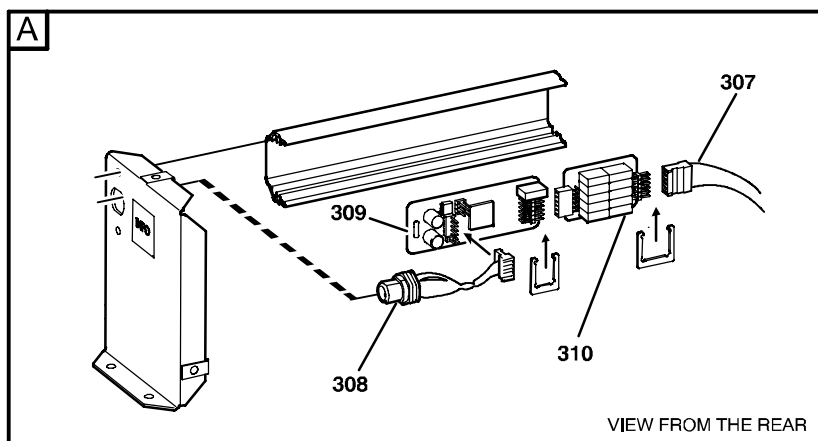
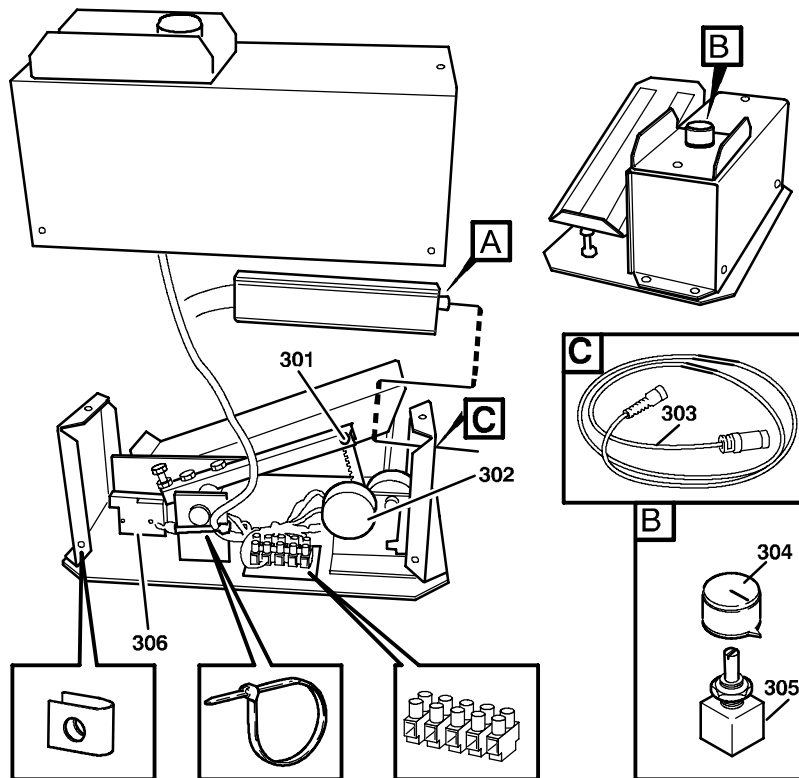
Item	Ordering no.	Denomination	Notes
250	0459 698 880	Knob cover set	Contains items 201, 202, 203, 104, 105 and 106



C = component designation in the circuit diagram

Item	Qty	Ordering no.	Denomination	Notes	C
301	1		Roll pin	D3x20mm	
302	1	0369 171 880	Potentiometer complet	10 kohm	43R2
303	1	0459 554 880	Remote cable CAN	12 pole, 5 metre	
304	1	0191 510 106	Knob		
305	1	0191 870 212	Potentiometer	2.5 kohm	43R1
306	1	0347 178 001	Micro switch		43SB1
307	1	0459 696 880	Cabel set		43XS3
308	1	0459 551 880	Connection CAN		43XP2
309	1	0460 146 880	CAN adapter board *	Must be configured when installed *	43AP1
310	1	0487 230 880	Filter board		43AP2

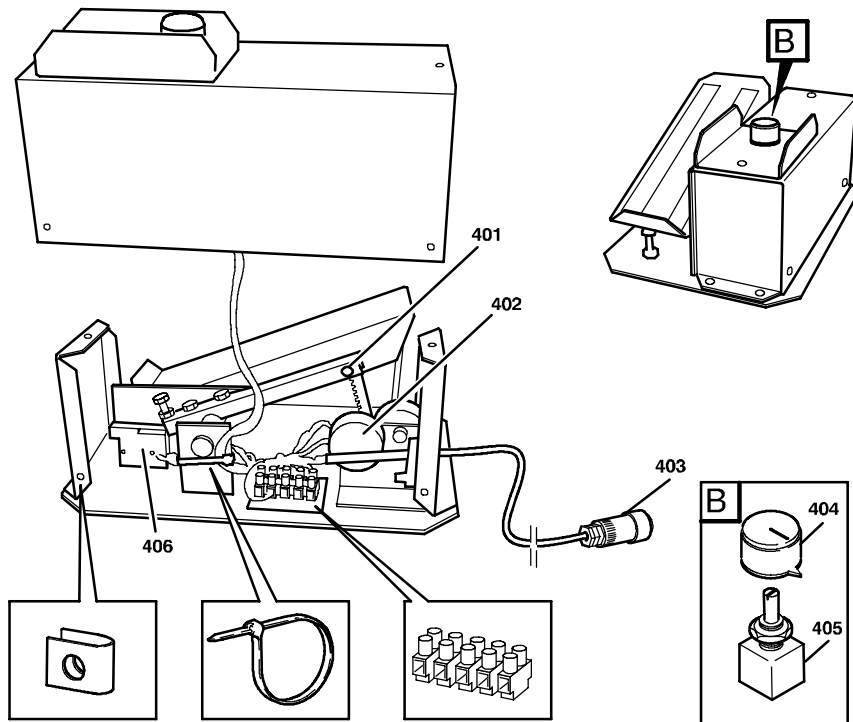
*) Machine ID = 5



AH 0698

C = component designation in the circuit diagram

Item	Qty	Ordering no.	Denomination	Notes	C
401	1		Roll pin	D3x20mm	
402	1	0369 171 880	Potentiometer complet	10 kohm	43R2
403	1	0349 086 881	Connection cabel	12 pole, 5 metre	
	1	0368 541 003	Pin plug	Included in item 403	
	5	0193 513 005	Connector pin	Included in item 403	
404	1	0191 510 106	Knob		
405	1	0191 870 212	Potentiometer	2.5 kohm	43R1
406	1	0347 178 001	Micro switch		43SB1



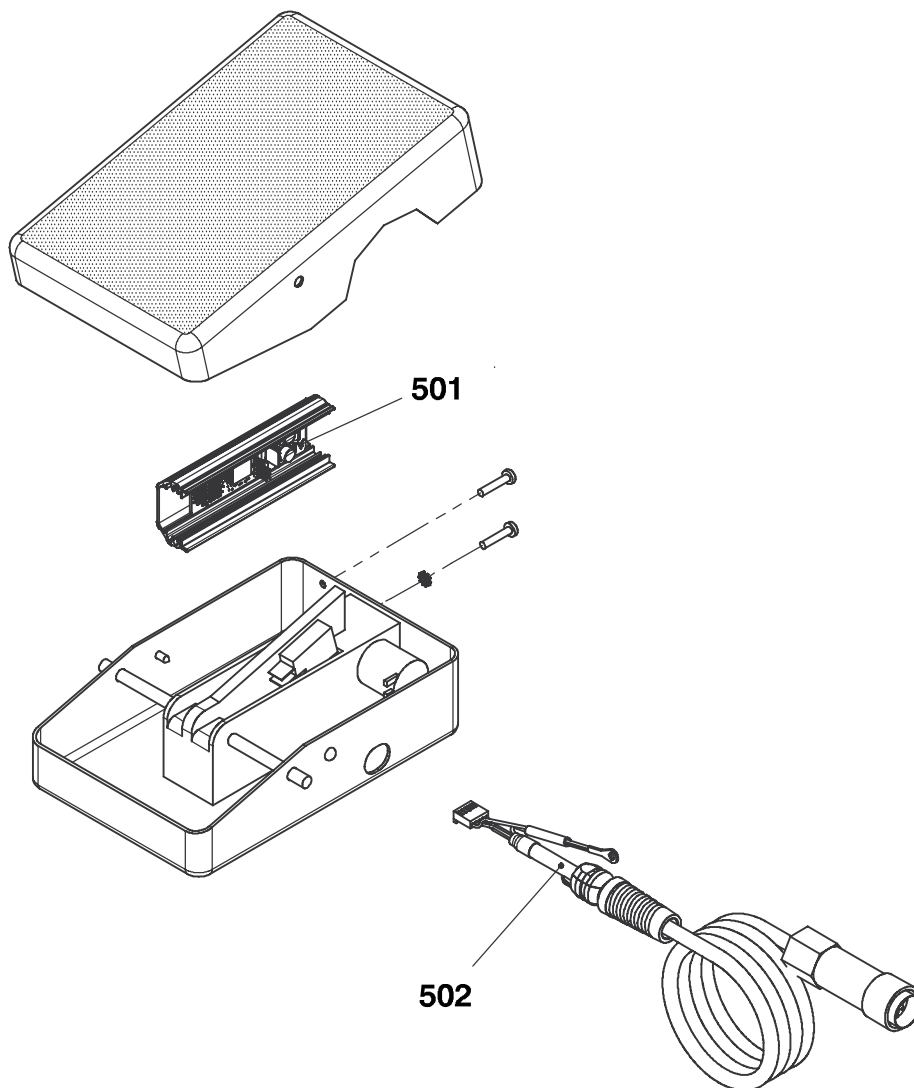
ΛH 0514

T1 Foot CAN

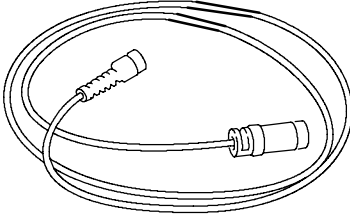
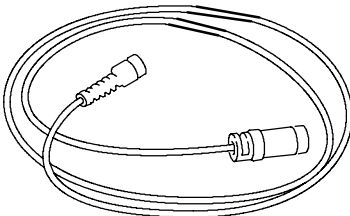
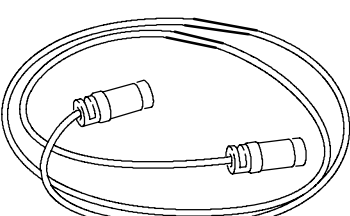
C = component designation in the circuit diagram

Item	Qty	Ordering no.	Denomination	Notes	C
501	1	0460 146 880	CAN adapter board *	Must be configured when installed *	43AP1
502	1	0459 554 885	Remote CAN cable	With 12 pole plug	43XP4
	1	0459 860 885	Remote CAN cable	With 10 pole plug	43XP4

*) Machine ID = 11



Accessories

	<p>Remote cable CAN 4 pole - 12 pole</p> <p>0.25 m 0459 554 884</p> <p>5 m 0459 554 880</p> <p>10 m 0459 554 881</p> <p>15 m 0459 554 882</p> <p>25 m 0459 554 883</p> <p>5 m Heavy Duty 0459 554 980</p> <p>10 m Heavy Duty 0459 554 981</p> <p>Remote cable CAN 4 pole - 10 pole</p> <p>0.25 m 0459 960 883</p> <p>5 m 0459 960 880</p> <p>10 m 0459 960 881</p> <p>25 m 0459 960 882</p> <p>5 m Heavy Duty 0459 960 980</p> <p>10 m Heavy Duty 0459 960 981</p> <p>25 m Heavy Duty 0459 960 982</p>
	<p>Remote cable 8 pole - 12 pole for remote controls AT1 and AT1 CF</p> <p>5 m 0459 552 880</p> <p>10 m 0459 552 881</p> <p>15 m 0459 552 882</p> <p>25 m 0459 552 883</p> <p>Remote cable 8 pole - 23 pole for remote control M1</p> <p>5 m 0459 553 880</p>
	<p>Extension cable 12 pole for remote controls AT1, AT1 CF and FS 002</p> <p>25 m 0367 662 880</p>

